



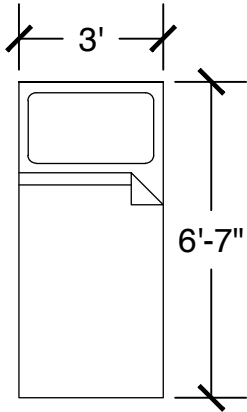
### Using These Measurements

This document contains the room measurements for Evergreen. We recommend that it be viewed in Adobe Acrobat, which can be downloaded at Adobe's website, [www.adobe.com/reader](http://www.adobe.com/reader).

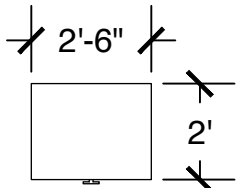
Because there are many configurations available for every residence hall, these layouts and measurements should be seen as general guidelines. This configuration reflects a standard room size but may not represent the exact room size or layout for every room. We do, however, strive to be as accurate as possible. Any questions should be directed to the Residence Life main office at (205)726-2956.

### Other Tips

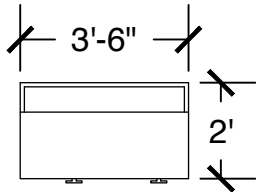
- All Samford owned furniture must stay in the room. Residents are welcome to bring in their own furniture, but the Samford owned furniture may not leave the room or be stored elsewhere.
- All measurements and drawings are made to scale.
- Measurements may not be perfect. We recommend saving all receipts for purchased furnishings just in case they won't fit.



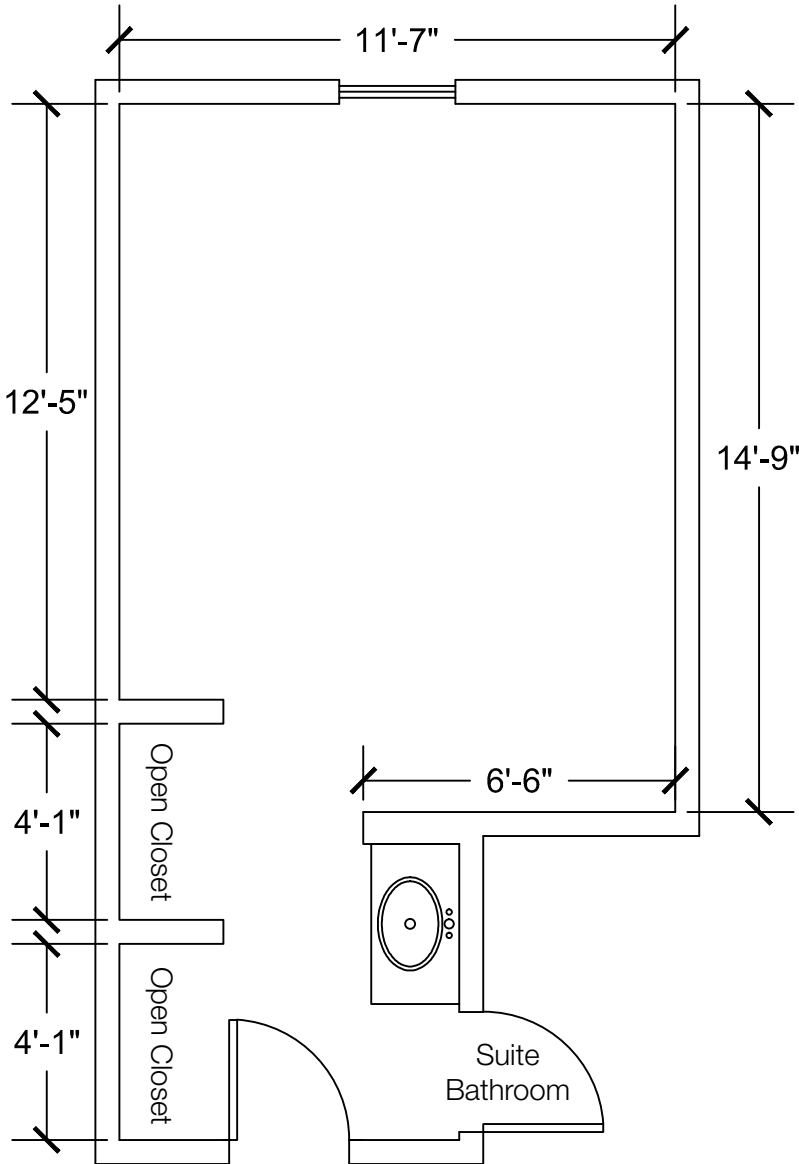
Standard Bed (x2)



Dresser (x2)



Desk w/ Hutch (x2)



**Configuration Notes:**

Applicable to Evergreen  
 All drawings are 1/4"=1'-0" scale  
 Dimensions are meant to be general figures and may not be exact